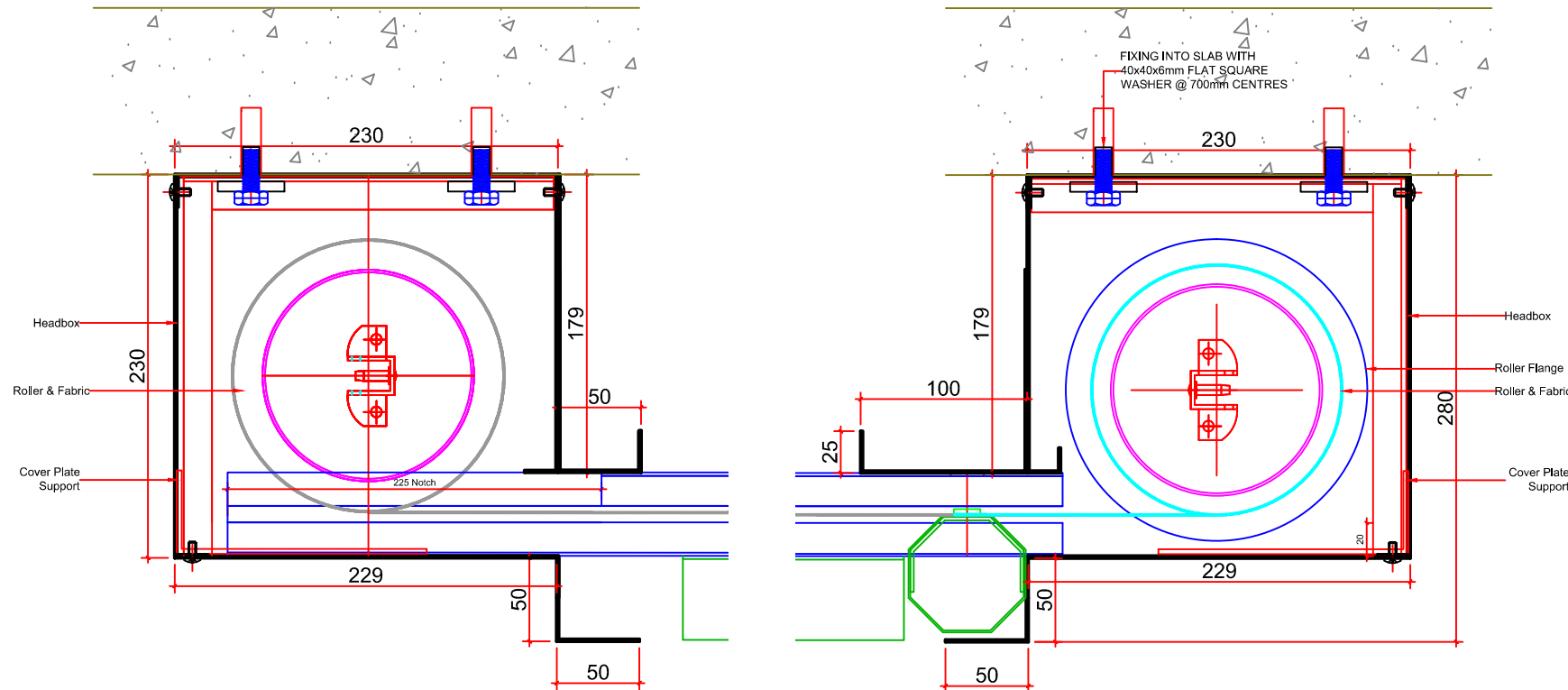
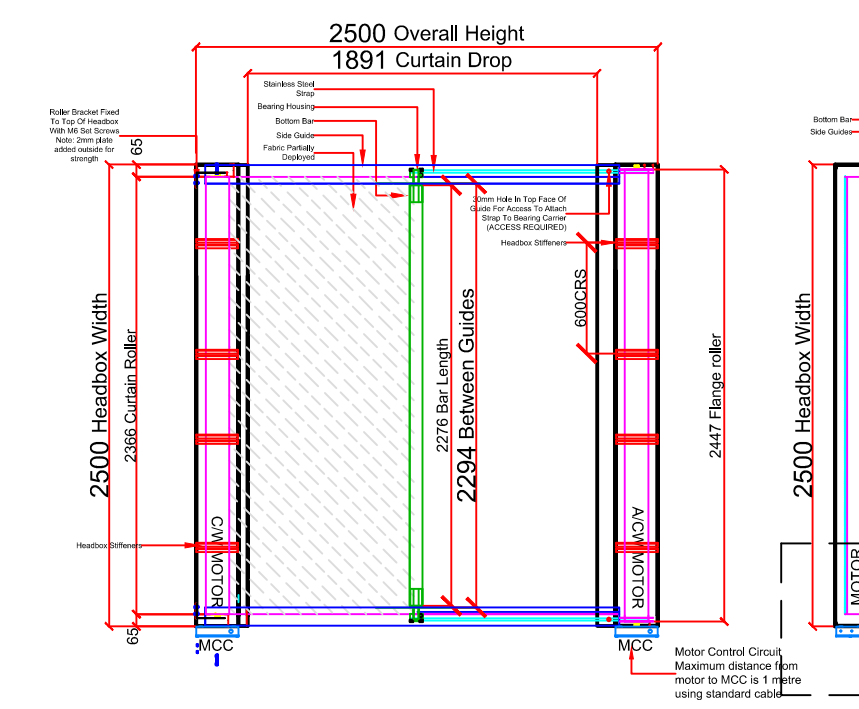
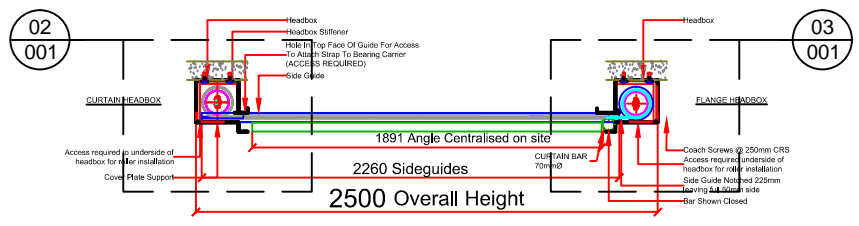


NOTES:
 • It is the Clients responsibility to check & approve drawings before manufacture can commence.
 • The Headbox Width should be greater than the Overall Height of the system wherever possible.

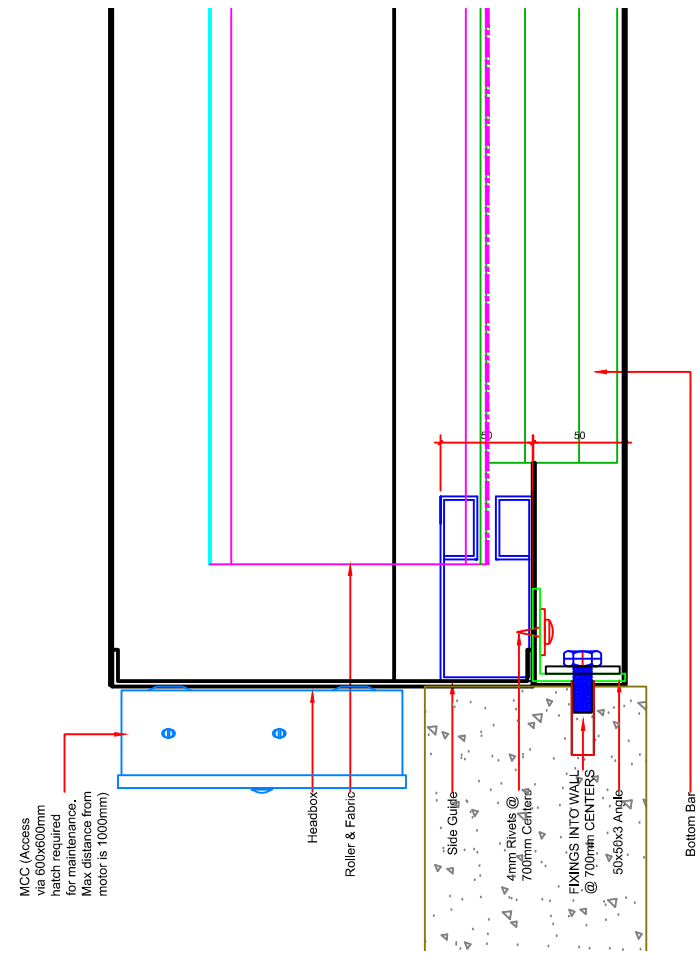


02
001 HC1 - Curtain Box Section Detail
SCALE 1 : 4 @ A3

02
001 HC1 - Flange Box Section Detail
SCALE 1 : 4 @ A3



01
001 HC1 - Plan, Section & Elevation
SCALE 1 : 40 @ A3



04
001 HC1 - Elevation Detail
SCALE 1 : 4 @ A3

Rev.	Description	Date	Initial

Issued For Comment/Approval

B.L.E. SMOKE & FIRE CURTAINS LTD.
 Tel : +44 (0) 114 251 4703
 Fax : +44 (0) 114 251 3908
 Email : enquiries@blecurtains.com

PROJECT:
 ALUMOT ESH
 MARIN LIFE STUDIES

DESCRIPTION:
 HC1
 HORIZONTAL CURTAIN DETAILS

SHEET No	SHEET SIZE	DRAWN BY	DATE
1 OF 2	A3	C. DAUBNEY	20.02.18
REF. No	SCALE	CHECKED BY	DATE
AS NOTED	AS NOTED	R. WEBB	20.02.18

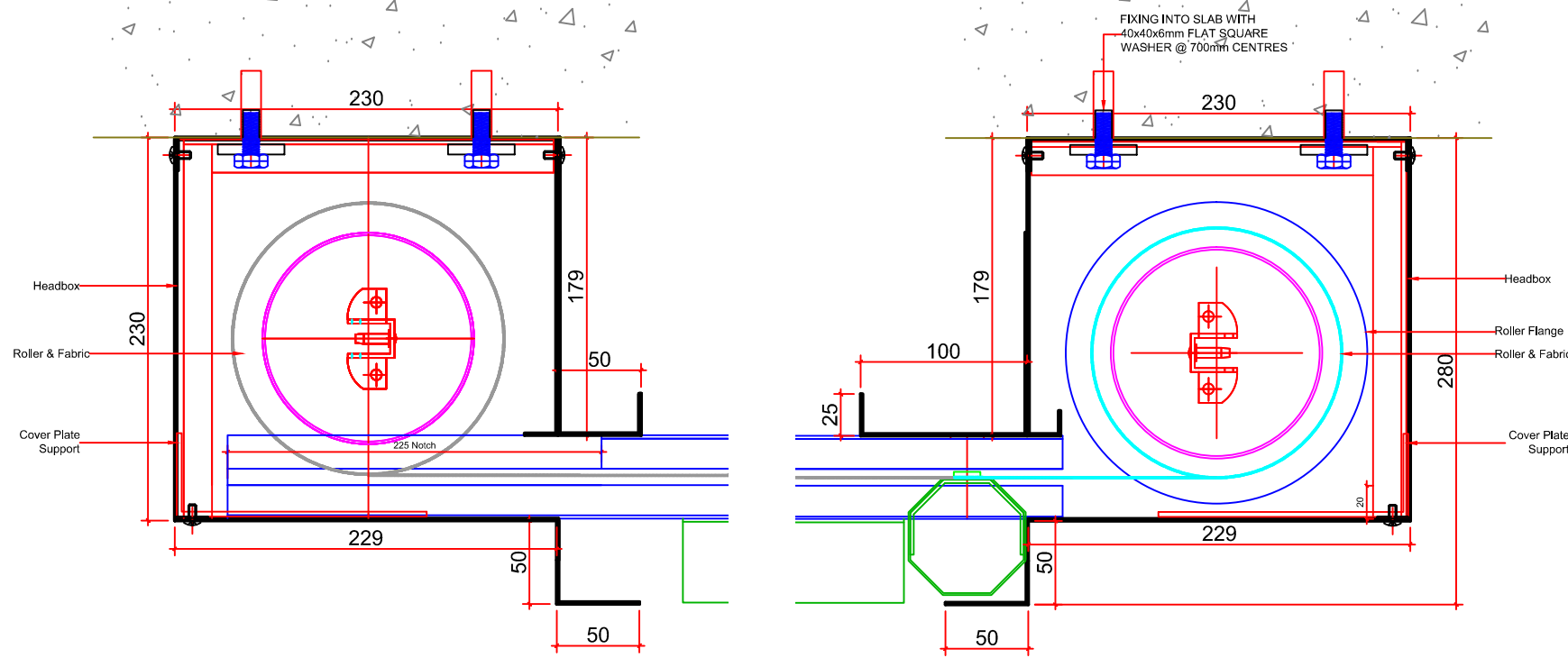
DRAWING No:
 EXP-MHS38218-001

ALL DIMENSIONS IN MILLIMETRES UNLESS STATED OTHERWISE. DO NOT SCALE. IF IN DOUBT ASK. SYSTEM TOLERANCE IS AS INDICATED IN ANY PLANE UNLESS OTHERWISE SPECIFIED. NOTHING IS TO BE FIXED TO THE ROLLER HOUSING WITHOUT PRIOR BLE CONSENT. ALL PRINTED DIMENSIONS ARE UNCONTROLLED.

COPYRIGHT © This Document is the copyright of BLE Smoke & Fire Curtains Ltd. and contains confidential information. It may not be copied, transmitted or information made known to any third party without the permission of BLE Smoke & Fire Curtains Ltd.

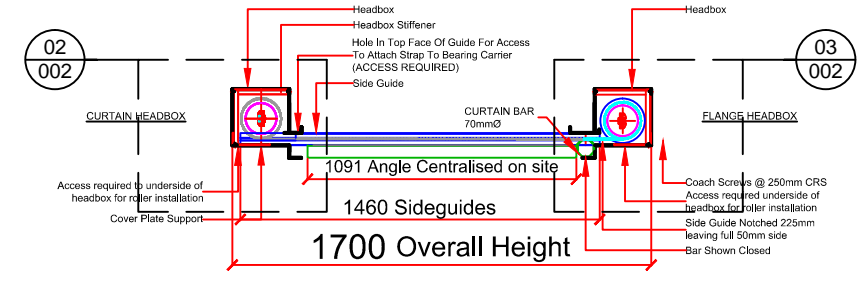
NOTES:

- It is the Clients responsibility to check & approve drawings before manufacture can commence.
- The Headbox Width should be greater than the Overall Height of the system wherever possible.



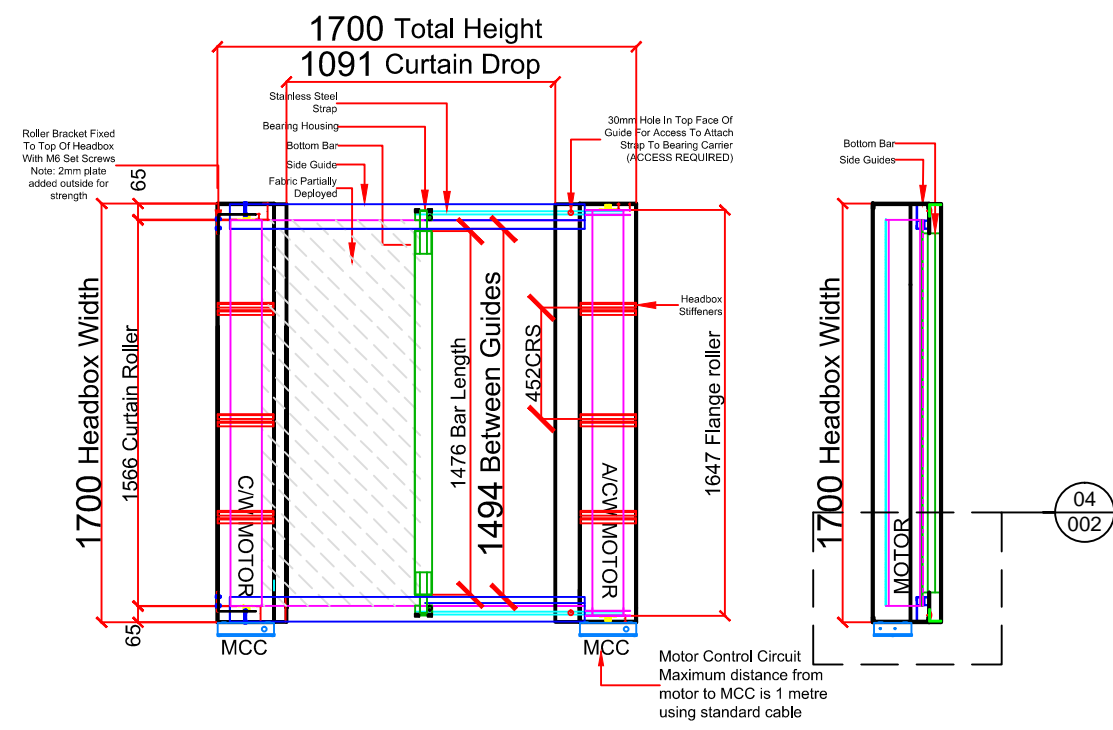
02
002 HC1 - Curtain Box Section Detail
SCALE 1 : 4 @ A3

02
002 HC1 - Flange Box Section Detail
SCALE 1 : 4 @ A3

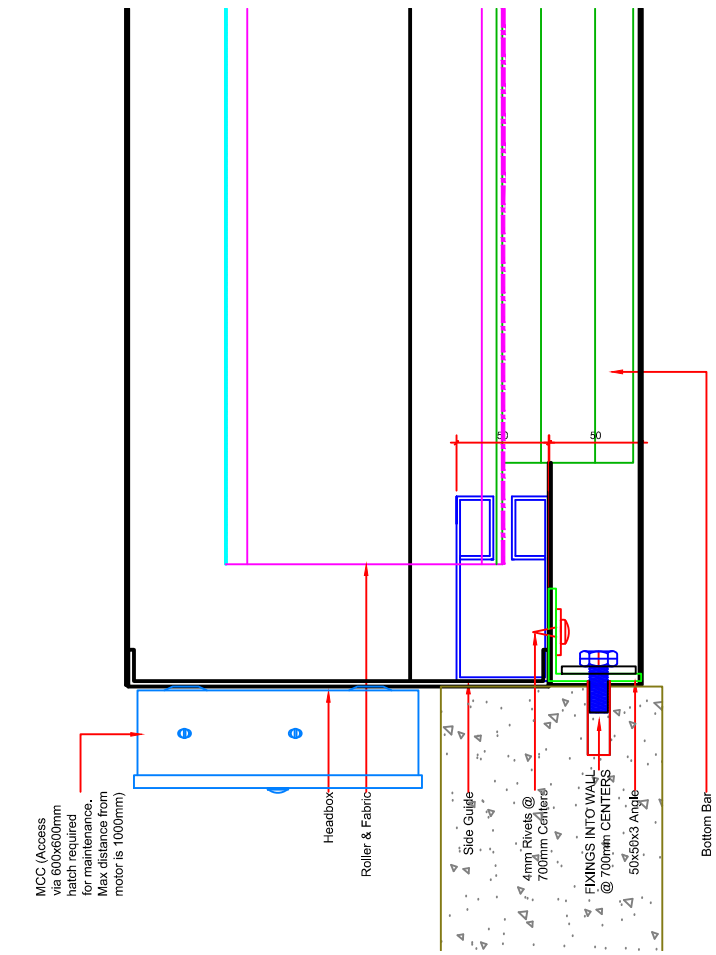


02
002

03
002



01
002 HC1 - Plan, Section & Elevation
SCALE 1 : 30 @ A3



04
002 HC1 - Elevation Detail
SCALE 1 : 4 @ A3

Rev.	Description	Date	Initial
Issued For Comment/Approval			
BLE MAKING BUILDINGS SAFER			
B.L.E. SMOKE & FIRE CURTAINS LTD. Tel : +44 (0) 114 251 4703 Fax : +44 (0) 114 251 3908 Email : enquiries@blecurtains.com			
PROJECT: ALUMOT ESH MARIN LIFE STUDIES			
DESCRIPTION: HC1 HORIZONTAL CURTAIN DETAILS			
SHEET NO 2 OF 2	SHEET SIZE A3	DRAWN BY C. DAUBNEY	DATE 20.02.18
REF. NO AS NOTED	SCALE SCALE	CHECKED BY R. WEBB	DATE 20.02.18
DRAWING No: EXP-MHS38218-002			
<small>ALL DIMENSIONS IN MILLIMETRES UNLESS STATED OTHERWISE. DO NOT SCALE. IF IN DOUBT ASK. SYSTEM TOLERANCE IS AS SPECIFIED IN ANY PLANE UNLESS OTHERWISE SPECIFIED. NOTHING IS TO BE FIRED TO THE ROLLER HOUSING WITHOUT PRIOR BLE CONSENT. ALL PRINTED DRAWINGS ARE UNCONTROLLED.</small>			
<small>COPYRIGHT © This Document is the copyright of BLE Smoke & Fire Curtains Ltd. and contains confidential information. It may not be copied, transmitted or information made known to any third party without the permission of BLE Smoke & Fire Curtains Ltd.</small>			