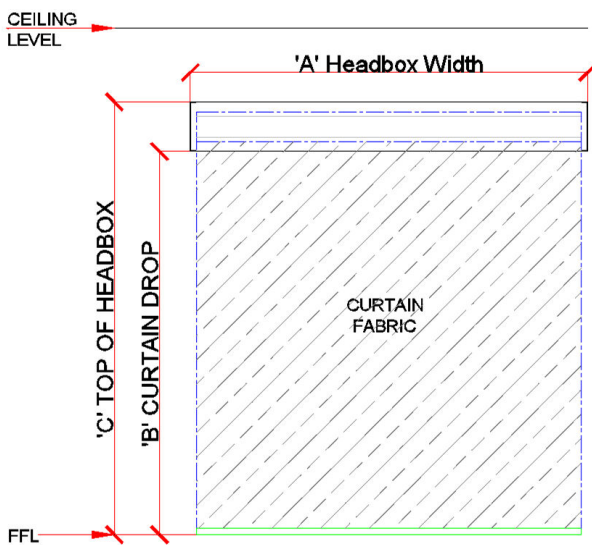


FC 2 (FC240 Fire Curtains)

Customer	Click here to enter text.	Date	Click here to enter a date.
Contact Name	Click here to enter text.	Quote Ref	Click here to enter text.
Contact Number	Click here to enter text.	Contact Email	Click here to enter text.
Project	Click here to enter text.		

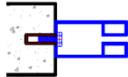
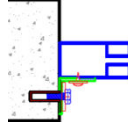
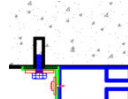
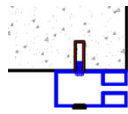


Box No.	H/box type A,B,C	H/box Width (A)	Width between guides 200mm < A	Total Height (C)	Fabric drop (B)	Guide Style A,B,C,D
1	A,B,C	In mm	In mm	In mm	In mm	A,B,C,D
2	A,B,C	In mm	In mm	In mm	In mm	A,B,C,D
3	A,B,C	In mm	In mm	In mm	In mm	A,B,C,D
4	A,B,C	In mm	In mm	In mm	In mm	A,B,C,D
5	A,B,C	In mm	In mm	In mm	In mm	A,B,C,D
6	A,B,C	In mm	In mm	In mm	In mm	A,B,C,D
7	A,B,C	In mm	In mm	In mm	In mm	A,B,C,D
8	A,B,C	In mm	In mm	In mm	In mm	A,B,C,D
9	A,B,C	In mm	In mm	In mm	In mm	A,B,C,D
10	A,B,C	In mm	In mm	In mm	In mm	A,B,C,D

Head box section. (Subject to meeting technical specification) FC range (Fire Curtains) in mm. The FC1 will be supplied with side guides which can be attached to the building structure as per the following arrangements.

Side Guide Arrangements.


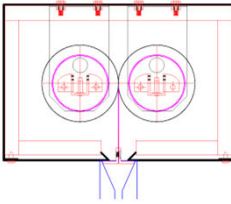
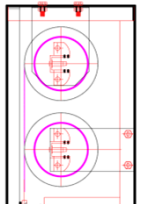
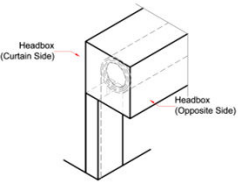
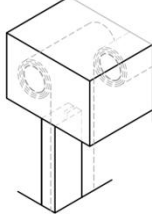
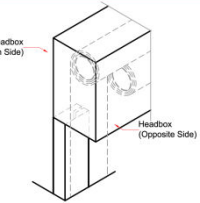
Please select type and insert letter into above table.

			
Type A Fixing Through back of Guide	Type B Fixing Side Fixing with 50 x 50 Angle	Type C Fixing Rear Fixing with 50 x 50 Angle	Type D Fixing Side fixing through pre- drilled holes (Capping Supplied)

FC 2 (FC240 Fire Curtains)

Head Box Configuration.

Please select type and insert letter into above table.

	Type A	Type B	Type C	Type A	Type B	Type C
Curtain Drop	Single Box	Double Box Side by Side (W x H)	Double Box Over Under (W x H)			
< 3m	180 x 180	310 x 180	180 x 290			
3m – 8m	210 x 210	390 x 230	210 x 390			

The above are our standard range of headboxes. If you require alternative sizes, downstands, or a drop above 8m please contact the BLE estimating team who will provide a quotation to meet your needs.

Motor Positions

If the locations of the motors are critical please state left or right when looking at the headbox from the opposite side as shown in the drawings above.

A Standard bottom bar comprising of twin mild steel angles (black etched) will be supplied to achieve the required weight to deploy the system. If alternative colours or design are required please contact the BLE estimating team who will provide a specific quotation to meet your needs.

Metalwork finish

The standard headbox finish is galvanised steel. If required a quotation for powder coating or a primer undercoat can be supplied.

Powder coating:-

Primer:-



- SMOKE CURTAINS
- FIRE CURTAINS
- FIXED CURTAINS
- INSTALLATION & SERVICE

Order form
BLE Estimating Team
+44 (0)114 251 4703

FC 2 (FC240 Fire Curtains)

Control Equipment

If multiple curtains are connected to 1 GCP please state the wiring loop length if known Metres.

No. Of GCP's Max 6 motors per GCP. Are you intending to interlink the GCP's

Additional features required by the GCP additional cost to be added to GCP price (£325). Tick if required

	Over-ride	BMS	Manual re-set	Delay drop timer	2 stage descent GCP	AV output
Cost Each £	80**	50	160**	80	160*	80***

Additional Ancillary options.

	Push Buttons	Fire Detector	Smoke Detector	AV Unit	Obstruction sensor	Remote test switch	IOI
No Of	Number	Number	Number	Number	Number	Number	Number
Cost Each £	40	140	140	57	260	40	50

* Where selected the roller(s) will have the price of a brake motor included. If a system has a mixture of single stage and 2 stage drops please contact the BLE estimating team who will provide a specific quotation to meet your needs.
 ** A minimum of 1 button is required in addition to the GCP modification. Please indicate number of buttons.
 *** A minimum of 1 AV Unit is required in addition to the GCP modification. Please indicate number of AV units.
 Additional costs will be shown on your quotation / order acknowledgement.

Additional comments

Click here to enter text.

Thank you for your enquiry / order.